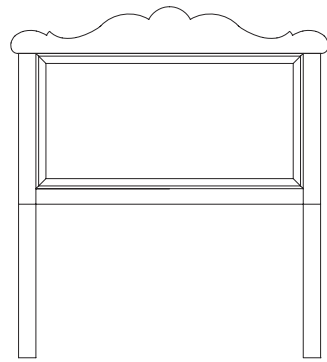


# HOMETOWN™

series 085



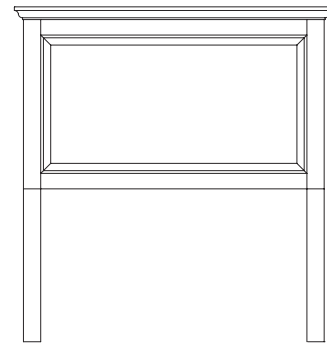
**085-930**  
**PANEL HEADBOARD**  
3/3 - TWIN  
W43 1/2 D2 H54 (110 x 5 x 137cm)  
Bored for frame.  
Use with -932 Panel Footboard  
and -091 Rails.  
pages: 6/7

**085-940**  
**PANEL HEADBOARD**  
4/6 - FULL  
W59 D2 H54 (150 x 5 x 137cm)  
Bored for frame.  
Use with -942 Panel Footboard  
and -094 Rails.

**085-091**  
**WOOD HOOK-ON RAILS**  
3/3 - TWIN  
W76 D2 H5 (193 x 5 x 13cm)  
3 wood slats included.  
Use with -930/932 or -931/932  
Panel Bed.  
pages: 6/7

**085-094**  
**WOOD HOOK-ON RAILS**  
4/6 - FULL  
W76 D2 H5 (193 x 5 x 13cm)  
3 wood slats included.  
Use with -940/942 or -941/942  
Panel Bed.  
pages: 4/5

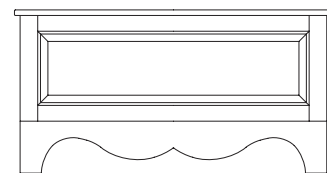
**085-097**  
**WOOD HOOK-ON RAILS**  
5/0 - QUEEN  
W76 D2 H5 (193 x 5 x 13cm)  
3 wood slats included.  
Use with -951/952 Panel Bed.  
pages: 8/9



**085-931**  
**PANEL HEADBOARD**  
3/3 - TWIN  
W44 D3 H49 (112 x 8 x 124cm)  
Bored for frame.  
Use with -932 Panel Footboard  
and -091 Rails.

**085-941**  
**PANEL HEADBOARD**  
4/6 - FULL  
W59 D3 H49 (150 x 8 x 124cm)  
Bored for frame.  
Use with -942 Panel Footboard  
and -094 Rails.  
pages: 4/5

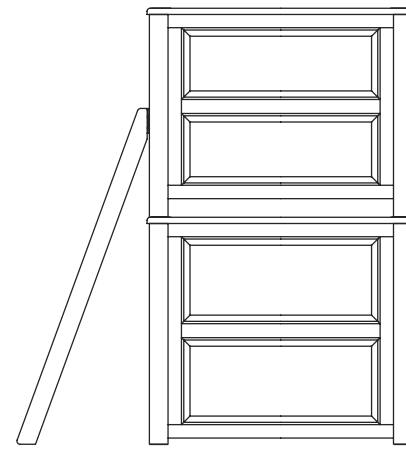
**085-951**  
**PANEL HEADBOARD**  
5/0 - QUEEN  
W66 D3 H49 (168 x 8 x 124cm)  
Bored for frame.  
Use with -952 Panel Footboard  
and -097 Rails.  
pages: 8/9



**085-932**  
**PANEL FOOTBOARD**  
3/3 - TWIN  
W43 D3 H22 (109 x 8 x 56cm)  
Use with -930 or -931 Panel Headboard  
and -091 Rails.  
pages: 6/7

**085-942**  
**PANEL FOOTBOARD**  
4/6 - FULL  
W58 D3 H22 (147 x 8 x 56cm)  
Use with -940 or -941 Panel Headboard  
and -094 Rails.  
pages: 4/5

**085-952**  
**PANEL FOOTBOARD**  
5/0 - QUEEN  
W65 D3 H22 (165 x 8 x 56cm)  
Use with -951 Panel Headboard  
and -097 Rails.  
pages: 8/9



**085-976R**  
**TWIN OVER TWIN BUNK BED**  
**COMPLETE**  
W43 D81 H70 (109 x 206 x 178cm)  
Consists of:  
-976 (2) 3/3 BED ENDS  
-973 GUARD RAILS AND  
LADDER  
-076 (2) WOOD BOLT-ON SIDE  
RAILS & SLATS  
W76 D2 H5  
(193 x 5 x 13cm)

Bunk bed will accommodate max of  
11" of mattress & foundation. Beds and  
rails can be ordered separately as twin  
bed only.  
Accommodates -909 Dual Function Unit.  
Slats included for support.  
page: 2/3

**085-980**  
**4/6 EXTENSION**  
W15 D2 H19 (38 x 5 x 48cm)  
Use with -976R, Converts Twin Bunk  
Bed to Twin Over Full Bunk Bed with  
4/6 Ladder and Slats.

**Lea**<sup>®</sup>  
The Youth Specialist™

a L A B O Y company

[www.leafurniture.com](http://www.leafurniture.com)

4310 Regency Drive, Suite 101  
High Point, NC 27265

Possession of this catalog does not constitute authority to  
purchase. The enclosed information is based on the latest  
product information available at the time of printing. The right  
to discontinue items without advance notice and to make changes  
as to color, materials and other specifications at any time is  
reserved. Not responsible for typographical errors.  
© 2011 Lea Industries

LEA/FCC/WCP/02-11/5K



**Lea**<sup>®</sup>  
The Youth Specialist™

a L A B O Y company

[www.leafurniture.com](http://www.leafurniture.com)

# HOMETOWN™

series 085

Hometown, by Lea Furniture, is a collection of bedroom furniture crafted of Solid Pine in a Naturally Distressed finish. Knob hardware in the same distressed finish is used on case pieces. The casual country design and rustic finish give Hometown a relaxed and inviting feel. This collection is proudly built in the USA\*.

The collection offers several sleep options with two Panel Headboard styles in multiple sizes, along with a Twin over Twin Bunk Bed with optional Full Size Extension.

The case pieces offered in Hometown include two mirror options, two dresser options, chest, nightstand, desk, hutch and chair.

Hometown can easily work in a boys or girls setting and with the Panel Bed offered in larger sizes, it is sure to be a perfect fit for guest rooms or second bedrooms.

Create a charming or rustic environment in any bedroom with Hometown. And, as always, Hometown is constructed with the quality and craftsmanship you expect from Lea Furniture.



085-976R  
BUNK BED  
3/3 - TWIN

085-909  
DUAL FUNCTION  
UNDERBED STORAGE  
UNIT

085-151  
DRAWER CHEST

085-774  
BOW BACK CHAIR

085-544  
HUTCH

085-341  
DESK

\* Excludes the -976R Bunk Bed.



Above Left:  
085-151  
DRAWER CHEST

Below Left & above:  
085-030  
LANDSCAPE MIRROR  
*Shown hung vertically:*

085-261  
DRAWER DRESSER

085-941  
PANEL HEADBOARD  
4/6 - FULL

085-942  
PANEL FOOTBOARD  
4/6 - FULL

085-094  
WOOD HOOK-ON RAILS  
4/6 - FULL

085-430  
NIGHTSTAND

085-774  
BOW BACK CHAIR

085-341  
DESK



Above Left & above:  
085-020  
VERTICAL MIRROR

Below Left & above:  
085-544 HUTCH  
085-774 BOW BACK CHAIR

085-271  
DRAWER DRESSER

085-341  
DESK

085-930  
PANEL HEADBOARD  
3/3 - TWIN

085-932  
PANEL FOOTBOARD  
3/3 - TWIN

085-091  
WOOD HOOK-ON RAILS  
3/3 - TWIN

085-909  
DUAL FUNCTION UNDERBED  
STORAGE UNIT

085-430  
NIGHTSTAND



085-430  
NIGHTSTAND

085-951  
PANEL HEADBOARD  
5/0 - QUEEN

085-952  
PANEL FOOTBOARD  
5/0 - QUEEN

085-097  
WOOD HOOK-ON RAILS  
5/0 - QUEEN

085-030  
LANDSCAPE MIRROR  
*Shown hung horizontally.*

085-261  
DRAWER DRESSER

# HOMETOWN™

series 085



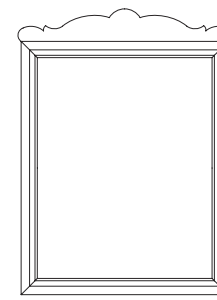
Constructed of Solid Pine.  
Naturally distressed finish.

- Pine Solids and Hand Select Veneers
- Center Mount Drawer Guides with Built-In Drawer Stops
- Sturdy Design, Thick Drawer Fronts
- Multiple Options for Sleep, Study and Storage
- Kid friendly finish with rustic appeal

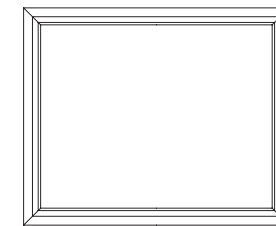
**BUNK BED & LOFT BED DESIGNS ARE TESTED & INDEPENDENTLY CERTIFIED TO MEET ALL REQUIREMENTS OF ASTM F-1427 STANDARD CONSUMER SAFETY SPECIFICATION FOR BUNK BEDS & THE GOVERNMENT CODE OF FEDERAL REGULATIONS 1213 & 1513.**

This collection is proudly built in the USA\* using high quality, renewable Solid Pine.

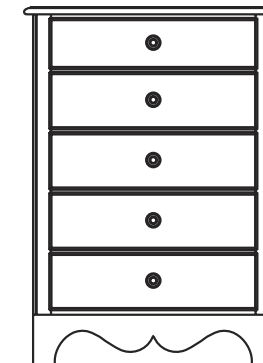
\* Excludes the -976R Bunk Bed.



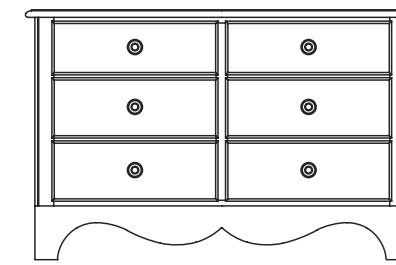
**085-020**  
**VERTICAL MIRROR**  
W32 D1 H46  
(81 x 3 x 117cm)  
Use with -261 or -271 Dresser.  
pages: 6/7



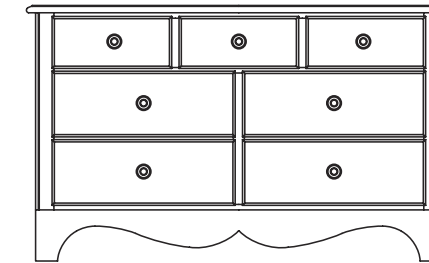
**085-030**  
**LANDSCAPE MIRROR**  
W39 D1 H32  
(99 x 3 x 81cm)  
Can be used vertically or horizontally.  
Use with -261 or -271 Dresser.  
pages: 4/5, 8/9



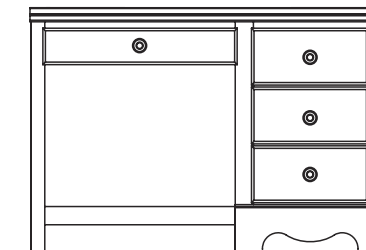
**085-151**  
**DRAWER CHEST**  
W36 D17 H50  
(91 x 43 x 127cm)  
5 drawers.  
pages: 2/3, 4, 8



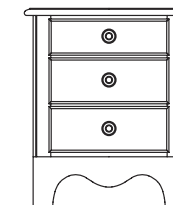
**085-261**  
**DRAWER DRESSER**  
W52 D17 H33  
(132 x 43 x 84cm)  
6 drawers.  
pages: 4/5, 8/9



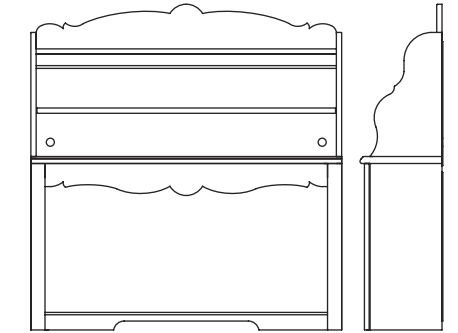
**085-271**  
**DRAWER DRESSER**  
W58 D17 H35  
(147 x 43 x 89cm)  
7 drawers.  
pages: 6/7



**085-341**  
**DRAWER DESK**  
W46 D18 H30  
(117 x 46 x 76cm)  
4 drawers.  
pages: 2/3, 4/5, 6/7



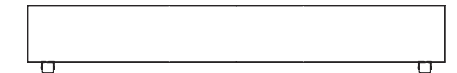
**085-430**  
**NIGHTSTAND**  
W24 D16 H26  
(61 x 41 x 66cm)  
2 drawers.  
pages: 4/5, 6/7, 8/9



**085-544**  
**HUTCH**  
W44 D12 H46  
(112 x 30 x 117cm)  
3 shelves, cork board back panel,  
wire management opening.  
pages: 2/3, 6/7



**085-774**  
**Chair**  
W18 D20 H37  
(46 x 51 x 94cm)  
Seat H: 19 (48cm)  
pages: 2/3, 4/5, 6/7



**085-909**  
**DUAL FUNCTION UNDERBED STORAGE UNIT**  
W75 D40 H10  
(191 x 102 x 25cm)  
Use with -930/932/091, -931/932/091,  
-940/942/094 or -941/942/094 Panel Bed.  
pages: 2/3, 6/7

**085-R74**  
**METAL FRAME WITH CASTERS**  
Use with -930, -931, -940 or -941 Panel Headboard.

**085-R96**  
**DELUXE HEAVY DUTY FRAME**  
Use with -930, -931, -940, -941 or -951 Panel Headboard.